



# Gulliver and Orion Vertical Platform Lifts **FOR HOME AND PUBLIC ACCESS**



Access BDD is one of Europe's leading suppliers of stairlifts, platform lifts and home lift solutions.

# Gulliver and Orion Vertical Platform Lifts FOR HOME AND PUBLIC ACCESS

Accessibility should be considered in everyone's building requirements. Our vertical platform lifts are engineered and designed to be installed in both public buildings and homes, in new buildings or in the renovation of older buildings.

**The Gulliver** has its own metal shaft. The shaft, panels and doors can be designed to match your surroundings. It can be installed inside or on the outside of a building.

**The Orion** is built within a masonry shaft and its visible panels and doors can be designed to match your surroundings.

Gulliver and Orion have been manufactured to meet the needs of customers who demand the best in comfort and quality. Due to the quality of materials used and the attention to design detail, both Gulliver and Orion meet the highest standards of safety and comfort. Gulliver and Orion conform to all relevant European norms.

1

## Tailored Solutions

Gulliver and Orion are available in a range of cabin sizes and entrance configurations, making them an ideal solution for a home or building where space is at a premium. A selection of design options include a choice of RAL colours, wall and floor finishes and ceiling designs ensuring a perfect fit with the surrounding architecture.

2

## Quick Installation

Depending on your needs and specifications, the Gulliver and Orion platform lifts can usually be installed within a few days. The modular design means they can be installed in almost any building, either indoors or outdoors with minimal construction work.

3

## Safety

Our customers' safety is of paramount importance to us. Gulliver and Orion comply with European Machinery Directive 2006/42/EC. They are certified to CE and TÜV. The larger platform sizes conform to EN 81-41.

They are operated by hold-to-run commands giving the user total control whilst travelling between floors. If a fully enclosed cabin is selected then operation by a single push button is possible. Emergency lighting and an on-board telephone device are standard features.







Certified to European Machinery Directive 2006/42/EC.



The lift is a great addition to our store! Wheelchair users can now get up to the first floor to see our latest range of ladies' clothing. The stainless steel doors fit perfectly with the store's décor."



# Features

## FOR ALL YOUR ACCESSIBILITY REQUIREMENTS

### Hydraulic Technology

Our range of hydraulic platform lifts are engineered to assure reliability, affordability and low maintenance costs. This proven technology offers durability, safe functioning, high reliability and a comfortable, smooth and quiet operation. Soft start and soft stop are a standard feature on all lifts.

### Space Efficiency

Gulliver and Orion come in a wide range of platform sizes. When space is at a premium, we have the perfect solution, the Orion can fit into a space as narrow as 660 mm and the Gulliver into a space as narrow as 730 mm. The wide range of standard platform sizes means you are sure to find a solution for your building's accessibility requirements.



### Power Efficiency

Operating on a 230V single phase power supply, Gulliver and Orion have low energy consumption comparable to that of a household appliance. Depending on your specification there are two power classes: 1.8 kW or 2.2 kW. A 'must have' when sustainability is a priority.

### A Range of Options as Standard

The Gulliver and Orion platform lifts come with a range of options to ensure that they meet your accessibility requirements and perfectly match the style of your home.



My wife and I renovated an old house, and because we were investing so much in the project, we wanted to make sure we could stay in our dream home forever. We thought it would be too complicated and expensive to include a lift, but how wrong we were!"

# Options

## TAILORED TO YOUR NEEDS

Choose from a number of options to ensure your Gulliver or Orion platform lift meets your needs and matches your building's interior.

### Cabin Types

The Gulliver is available with over 60 different standard platform sizes. Platform sizes for the Orion can be customised to ensure an exact solution is found that matches your requirements.

**Protection Wall**



**Protection Wall with Ceiling**



**Standard Cabin**



**Elegance Cabin**



**Cabin with Folding Doors**



**Cabin with Sliding Doors**





# Door Options

## Steel



Available in a choice of RAL colours or a stainless steel coating. No window, small window or a panoramic window.

## Wooden



Oak, mahogany, walnut or chestnut.

## Aluminium



Available in a choice of RAL colours, natural anodised, bronze effect, nickel effect. Panoramic window.

## All Glass



Frameless, clear glass, semi-automatic with arm integrated inside the frame.

## Fire-proof



No window or with a small window. Certified to EN 81-58. Available in a choice of RAL colours (fire proof).

## Stainless Steel



Made of stainless steel AISI 316. Available in a choice of RAL colours or coated in stainless steel AISI 316 scotch brite. No window, small window or panoramic window.

## Sliding (Landing and Cabin)



RAL painted or stainless steel.

## Folding (Cabin only)

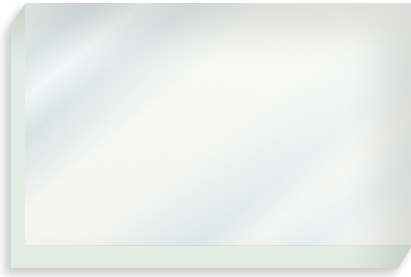


RAL painted or stainless steel.

Automatic openers available on steel, wooden, aluminium and stainless steel option.

## Panels

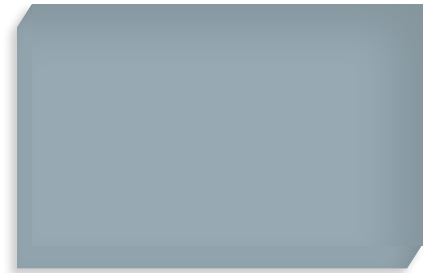
### Glass



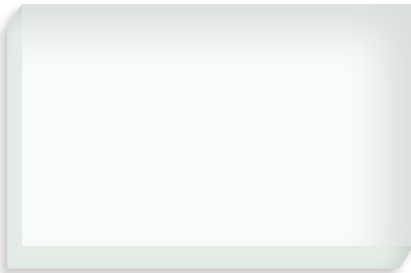
Transparent



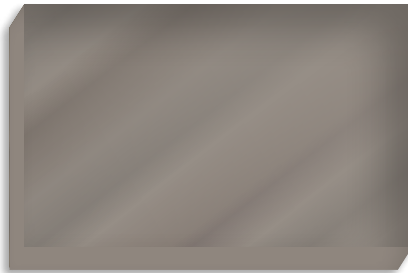
Smokey Grey



Smokey Satin

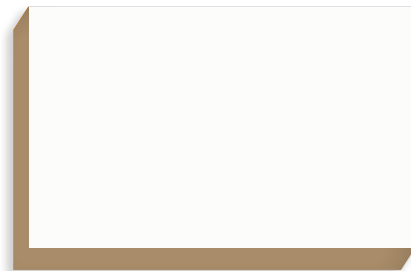


Opaline

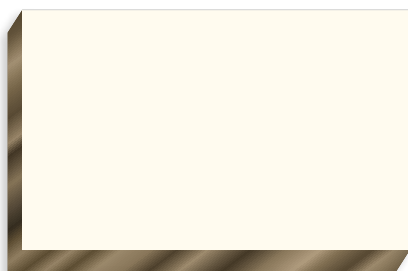


Semi Reflective

### Other



MDF  
Indoor only



ABET



Galvanised Steel  
Painted in a choice of RAL colours



A proven technology offering reliability, affordability and low maintenance costs.



## Detail Options

**Techno Handle and Button**



**Classic Handle and Button**



**Modern Handle and Button**



## Other Options

**Cabin Ceiling 2 Spots**



**Cabin Ceiling 4 Spots**



**Handrail**



**Folding Seat**







Operating on a 230V single phase power supply, Gulliver and Orion have low energy consumption comparable to that of a household appliance.



## Cabin Finishes - Standard

### Skinplate for Cabin Walls



Metal Like PPS



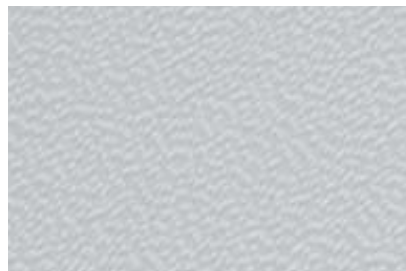
A4



A13



G1



N1



B13



PPS12



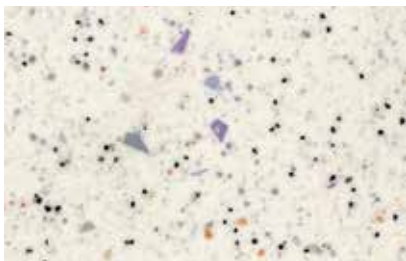
PPS10



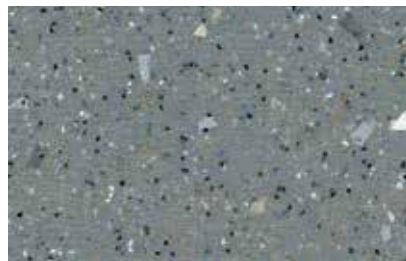
PPS11

Cabin walls are also available in a choice of RAL colours, stainless steel satin and stainless steel linen.

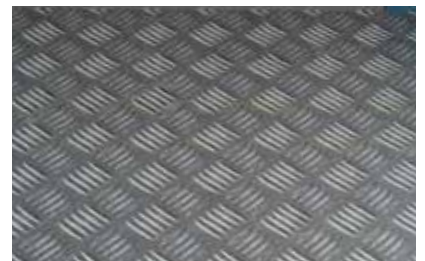
### Flooring



Light Sand Vinyl



Dark Sand Vinyl



Aluminium

An option to prepare the cabin for the customer's own flooring is also available.

For even more options - choose the Elegance cabin with a greater choice of wall covering, flooring and ceiling types.



The Gulliver can be installed indoors and outdoors. The metal shaft can be painted to match its surroundings.





## Cabin Finishes - Elegance

### Cabin Wall Finishes



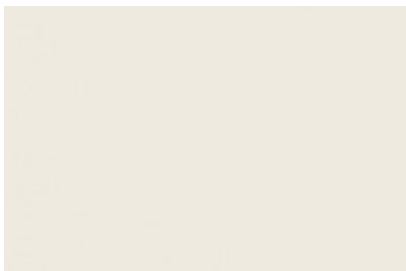
Stainless Steel - Satin



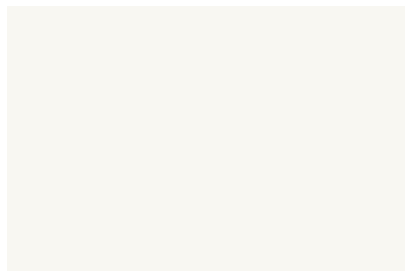
Stainless Steel - Mirrored



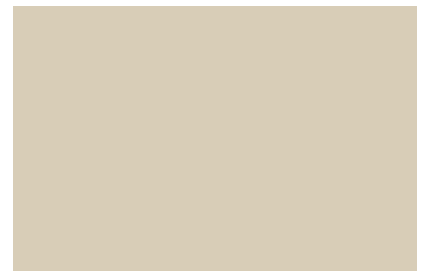
Stainless Steel - Gold Mirrored



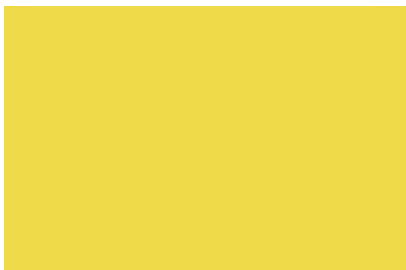
Laminate - Porcelain White



Laminate - White



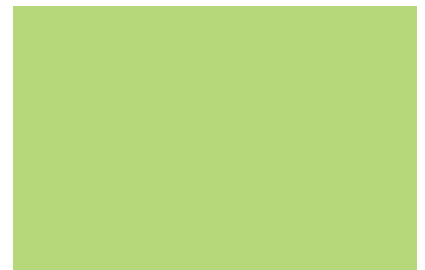
Laminate - Sand



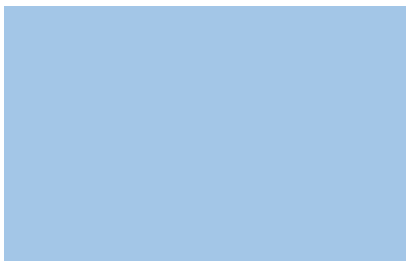
Laminate - Pom Pom Yellow



Laminate - Pop Yellow



Laminate - Cedar Green



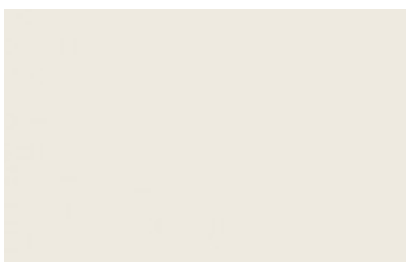
Laminate - Pervinca Azur Blue



Laminate - London Grey



Magnetic Display Panel - Grey



Magnetic Display Panel - Cream



Metal Effect - Saturn Titanium



I chose to have the Elegance cabin. It gave me additional options which made sure the lift matched my home.”



Metal Effect - Gold Mirrored



Metal Effect - Mirrored  
Stainless Steel



Wood Effect - Crea Walnut



Wood Effect - Douglas Vanilla



Wood Effect - Europe Oak



Wood Effect - Douglas



Wood Effect - Douglas Ice



Wood Effect - Artic Pine



Wood Effect - Transversal Oak



Wood Effect - Transversal  
Tobacco



Wood Effect - Tennessee Oak



Wood Effect - Italian Walnut



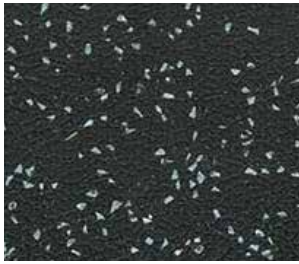
Wood Effect - Pavese Cherry



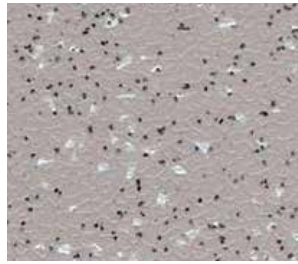
Wood Effect - Fey Cherry

## Flooring - Elegance

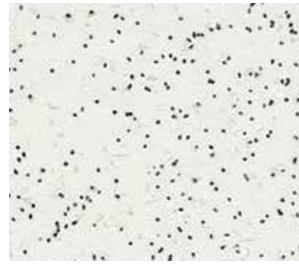
### PVC



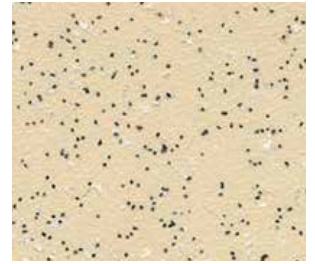
Black



Grey



Ice



Sand

### Rocksolid



Maltese Black



Dove Tail



White Star



Sunset Beach

An option to prepare the cabin for the customer's own flooring is also available.

## Ceiling - Elegance

### Plain Steel



### Opal



### Starry Sky







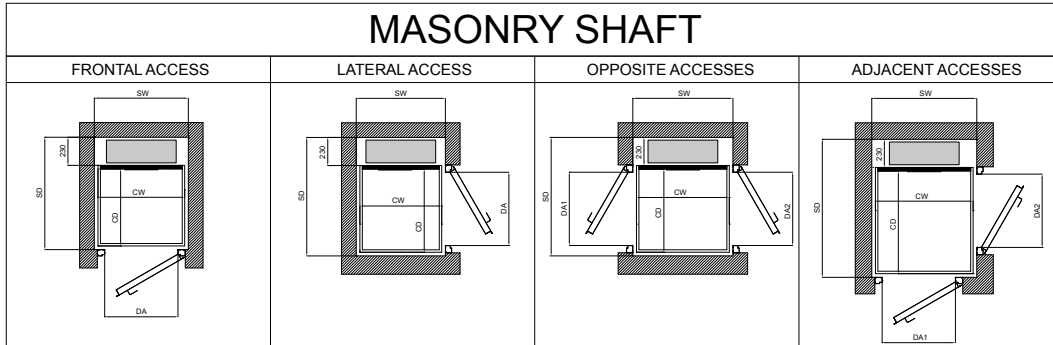
The Gulliver and Orion platform lifts can be installed in homes and public buildings - improving accessibility for all.



# Technical Specification

## CERTIFIED TO THE HIGHEST STANDARDS

### Protection Wall

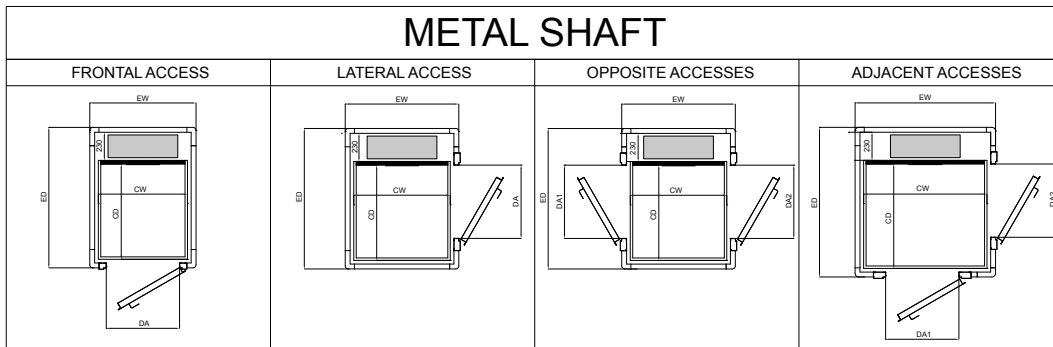


**FRONTAL ACCESS**  
 SW min. = 720  
 SD min. = 800  
 CW = SW - 40  
 CD = SD - 280  
 EW = SW + 80  
 ED = SD + 80

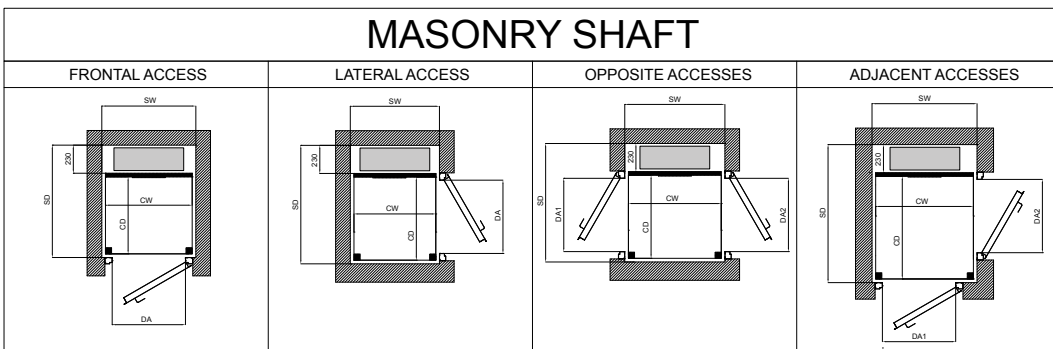
**LATERAL ACCESS**  
 SW min. = 720  
 SD min. = 800  
 CW = SW - 40  
 CD = SD - 280  
 EW = SW + 80  
 ED = SD + 80

**OPPOSITE ACCESSES**  
 SW min. = 720  
 SD min. = 800  
 CW = SW - 40  
 CD = SD - 280  
 EW = SW + 80  
 ED = SD + 80

**ADJACENT ACCESSES**  
 SW min. = 720  
 SD min. = 800  
 CW = SW - 40  
 CD = SD - 280  
 EW = SW + 80  
 ED = SD + 80



### Protection Wall with Ceiling

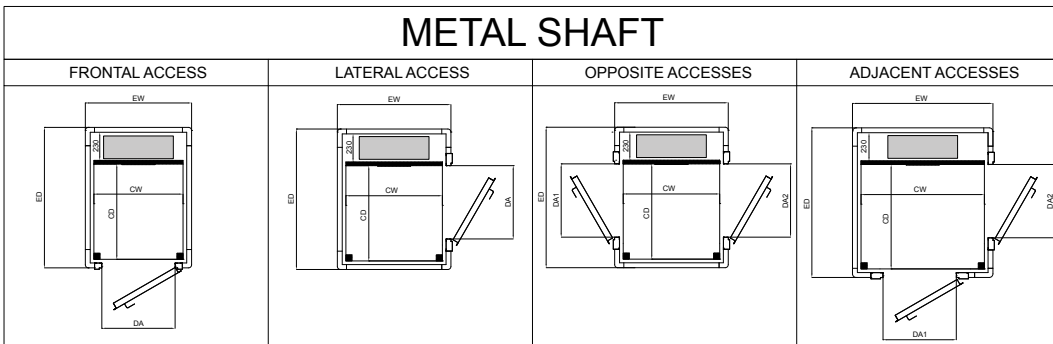


**FRONTAL ACCESS**  
 SW min. = 660  
 SD min. = 800  
 CW = SW - 100  
 CD = SD - 310  
 EW = SW + 80  
 ED = SD + 80

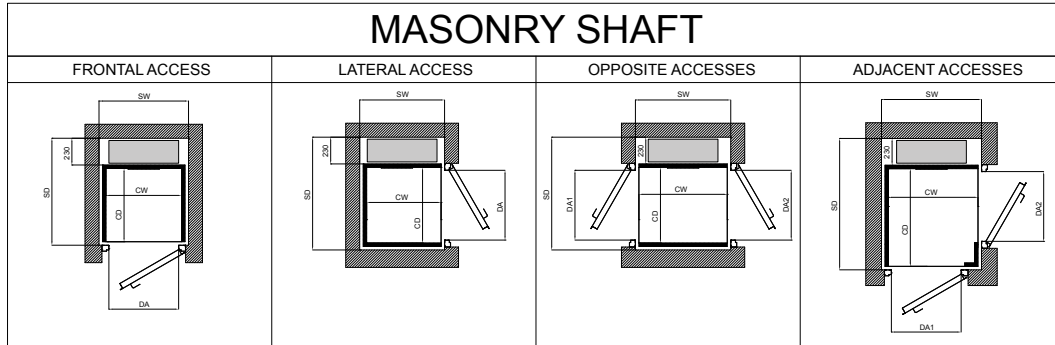
**LATERAL ACCESS**  
 SW min. = 660  
 SD min. = 800  
 CW = SW - 100  
 CD = SD - 310  
 EW = SW + 80  
 ED = SD + 80

**OPPOSITE ACCESSES**  
 SW min. = 660  
 SD min. = 800  
 CW = SW - 100  
 CD = SD - 310  
 EW = SW + 80  
 ED = SD + 80

**ADJACENT ACCESSES**  
 SW min. = 660  
 SD min. = 800  
 CW = SW - 100  
 CD = SD - 310  
 EW = SW + 80  
 ED = SD + 80



## Standard Cabin and Elegance Cabin



**FRONTAL ACCESS**

SW min. = 720  
 SD min. = 800  
 CW = SW - 120  
 CD = SD - 310  
 EW = SW + 80  
 ED = SD + 80

**LATERAL ACCESS**

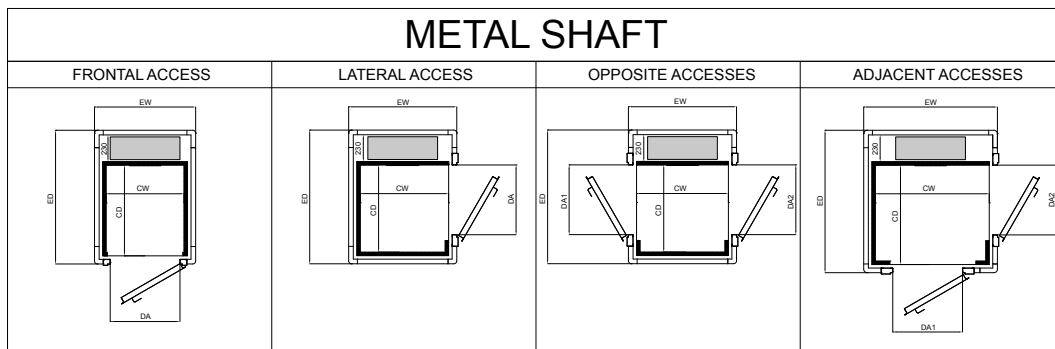
SW min. = 720  
 SD min. = 800  
 CW = SW - 110  
 CD = SD - 320  
 EW = SW + 80  
 ED = SD + 80

**OPPOSITE ACCESSES**

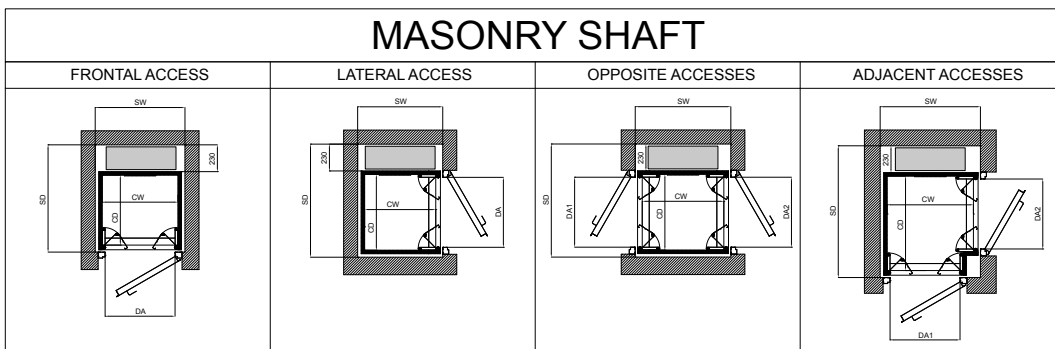
SW min. = 720  
 SD min. = 800  
 CW = SW - 100  
 CD = SD - 320  
 EW = SW + 80  
 ED = SD + 80

**ADJACENT ACCESSES**

SW min. = 720  
 SD min. = 800  
 CW = SW - 110  
 CD = SD - 310  
 EW = SW + 80  
 ED = SD + 80



## Standard Cabin with Folding Doors



**FRONTAL ACCESS**

SW min. = 720  
 SD min. = 920  
 CW = SW - 120  
 CD = SD - 310  
 EW = SW + 80  
 ED = SD + 80

**LATERAL ACCESS**

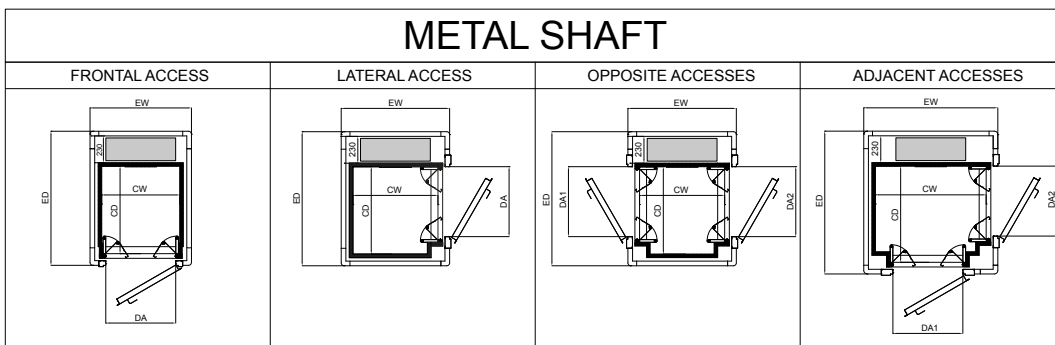
SW min. = 720  
 SD min. = 970  
 CW = SW - 110  
 CD = SD - 320  
 EW = SW + 80  
 ED = SD + 80

**OPPOSITE ACCESSES**

SW min. = 720  
 SD min. = 970  
 CW = SW - 100  
 CD = SD - 320  
 EW = SW + 80  
 ED = SD + 80

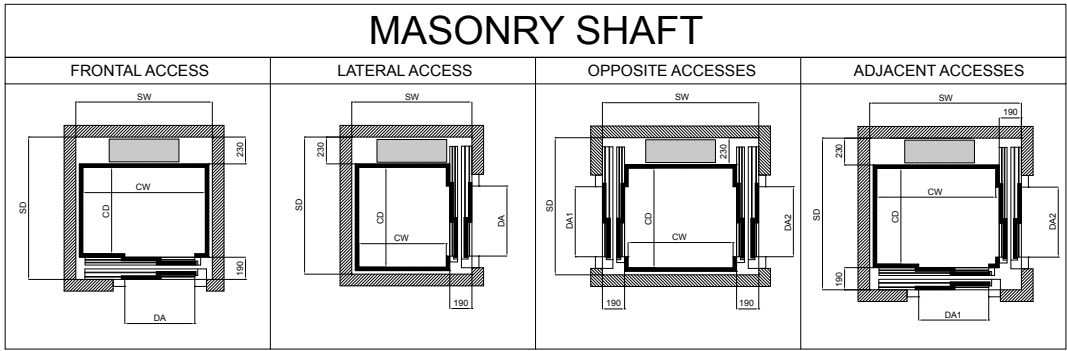
**ADJACENT ACCESSES**

SW min. = 960  
 SD min. = 1060  
 CW = SW - 110  
 CD = SD - 310  
 EW = SW + 80  
 ED = SD + 80





## Cabin with Sliding Doors



**DOOR CLEAR ACCESS AVAILABILITY**  
 DA = DA1 = DA2 = 600, 700, 750, 800, 900

**FRONTAL ACCESS**

SW min. = 1120  
 SD min. = 1330  
 DA = 600 if SW ≥ 1120  
 DA = 700 if SW ≥ 1270  
 DA = 750 if SW ≥ 1345  
 DA = 800 if SW ≥ 1420  
 DA = 900 if SW ≥ 1570  
 CW = SW - 120  
 CD = SD - 480  
 EW = SW + 80  
 ED = SD + 100

**LATERAL ACCESS**

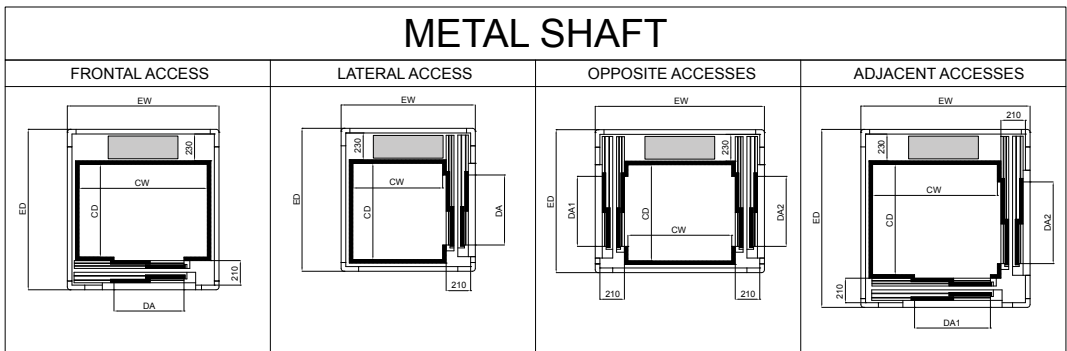
SW min. = 1080  
 SD min. = 1170  
 DA = 600 if SD ≥ 1170  
 DA = 700 if SD ≥ 1270  
 DA = 750 if SD ≥ 1345  
 DA = 800 if SD ≥ 1420  
 DA = 900 if SD ≥ 1570  
 CW = SW - 280  
 CD = SD - 320  
 EW = SW + 100  
 ED = SD + 80

**OPPOSITE ACCESSES**

SW min. = 1240  
 SD min. = 1170  
 DA = 600 if SD ≥ 1170  
 DA = 700 if SD ≥ 1270  
 DA = 750 if SD ≥ 1345  
 DA = 800 if SD ≥ 1420  
 DA = 900 if SD ≥ 1570  
 CW = SW - 440  
 CD = SD - 320  
 EW = SW + 120  
 ED = SD + 80

**ADJACENT ACCESSES**

SW min. = 1260  
 SD min. = 1330  
 DA = 600 if SW ≥ 1260 and SD ≥ 1330  
 DA = 700 if SW ≥ 1410 and SD ≥ 1410  
 DA = 750 if SW ≥ 1485 and SD ≥ 1485  
 DA = 800 if SW ≥ 1560 and SD ≥ 1560  
 DA = 900 if SW ≥ 1720 and SD ≥ 1720  
 CW = SW - 280  
 CD = SD - 480  
 EW = SW + 100  
 ED = SD + 100



## Gulliver and Orion

**Drive system:** Hydraulic

**Motor:** Single-phase 230 V, 50 Hz; 1.8 – 2.2 kW.

**Power supply:** 230 ± 10% V, 50 Hz single-phase, with grounding conductor.

**Travel:** Maximum travel: 15.1 m; maximum number of stops: 5.

**Rated load:** 300 kg and/or 400 kg.

**Speed:** Max. 0,15 m/s. with soft start and softs stop

**Pit:** Min. 100mm

**Minimum guide wall width:** Gulliver: 730 mm (narrow model) / 800 mm (standard model)  
 Orion: 660 mm (narrow model) / 720 mm (standard model)

**Safety devices:** Immediate grip safety stop, emergency stop button, automatic emergency lowering, load control device and electro-mechanical over-travel switch.

**Norm compliance:** Machinery Directive 2006/42/EC and EN 81-41.

# About Access BDD

## 30 YEARS OF EXPERIENCE

For over 30 years, Access BDD have specialised in making life easier for both private and public customers.

Supplier of stairlifts, inclined platform lifts, vertical platform lifts and home elevators, Access BDD believe that the ability to move around freely shouldn't be something that is taken for granted. Through our wealth of knowledge and experience we have become one of the world's leading suppliers of accessibility products.

Through our wide array of customisable options on all of our products you can rest assured your new lift will seamlessly fit into your home or building.

Our extensive engineering heritage means our products are precisely developed to be industry-leading while conforming to all relevant safety guidelines. Our products are designed to be installed quickly and with minimum fuss.



Access BDD have been my platform lift supplier for the last 10 years, their products are second to none.”

### When you choose an Access BDD product, you're choosing:

- Industry leading company with a wealth of experience
- Safety and reliability
- Technological innovation



For over 30 years we have specialised in making life easier for both private and public customers.



Your local Access BDD dealer is:

